

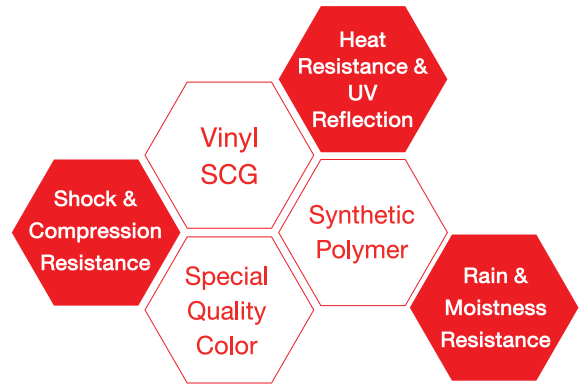
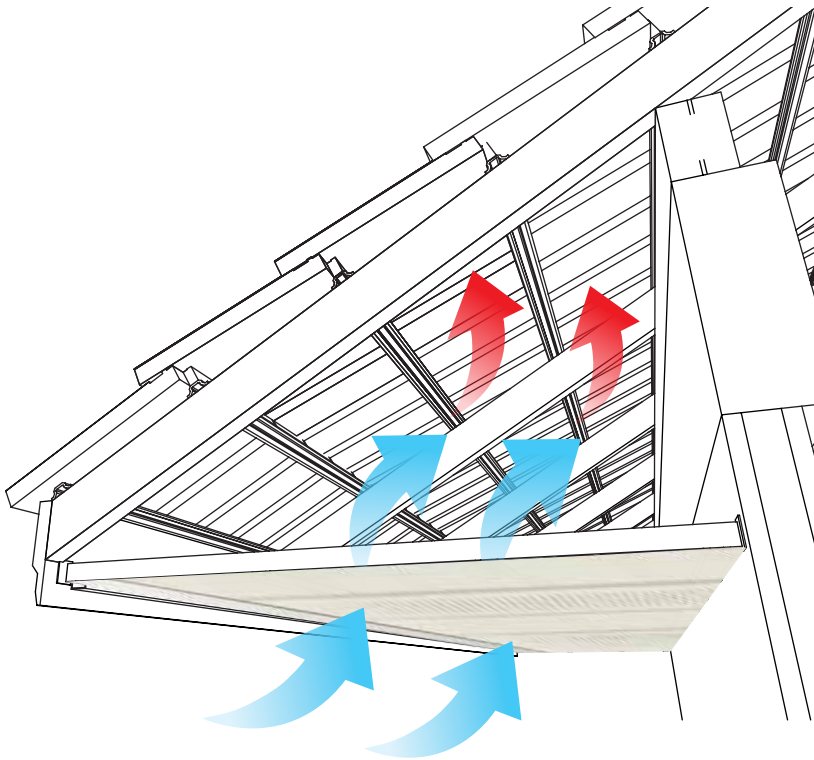
SCG VINYL SOFFIT SYSTEM



A worthwhile investment with long lasting period

SCG VINYL SOFFIT SYSTEM

The best innovation of vinyl material developed particularly for tropical-weather region, Asia. Resist to heat, termite and fading problem.



Color Fade Resistance

Changing rate of the color from testing by **Accelerated Shelf Life Testing Equipment**

Better Choice

Equivalent to	0	2	4	6-7	8-10	Years
SCG Vinyl Soffit						
Traditional Soffit						

Heat reduction under a roof up to 7 degrees*

Ventilation efficiency test is certified by the Building Scientific Research Center, King Mongkut's University of Technology Thonburi.



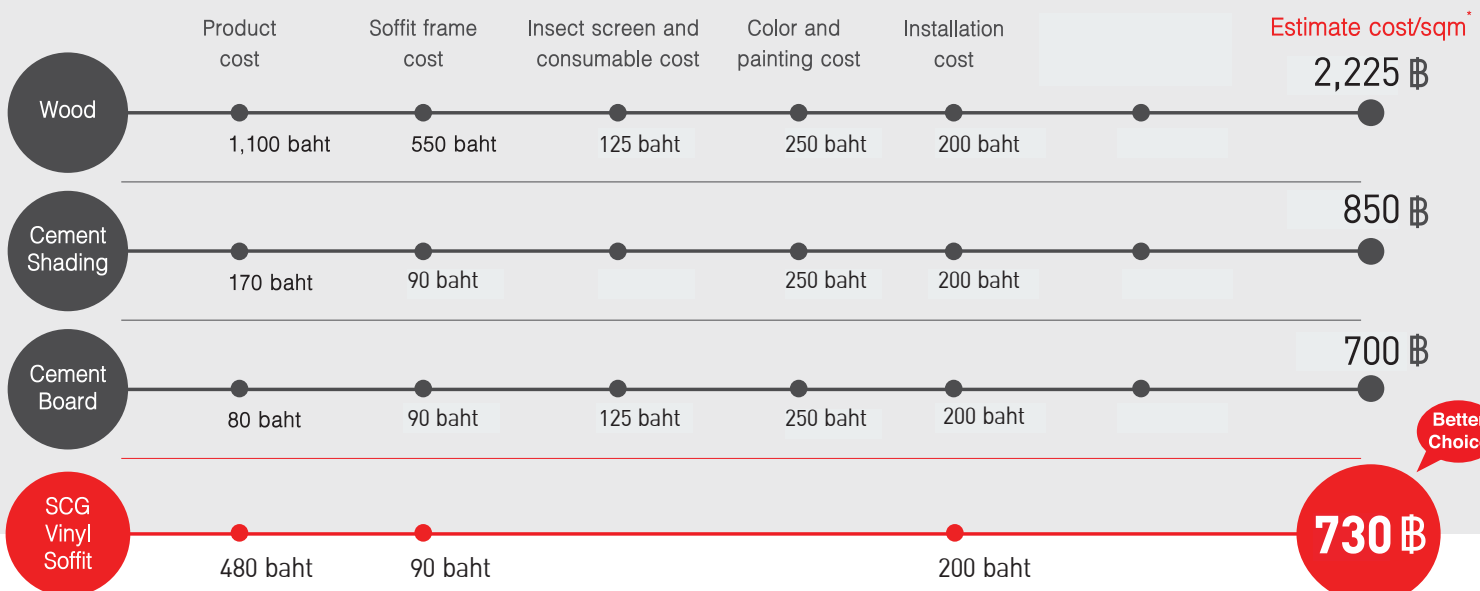
Other Soffits

- Need additional insect screens
- Need additional coloring for neat and beauty
- Need decoration and trivial jobs
- Need to purchase additional installation set

SCG Vinyl Soffits

- No need to install an insect screen
- No painting added
- Screw hidden and no trivial jobs
- Lighter weight
- Ready to install

Lifetime expenses compared by material



Better Choice

*Calculated from SCG Vinyl Soffits, Center Vent Series. *Maintenance cost is estimated from 30% of product, demolishing and installation cost.

*Reference price from March 2019 and the current price may be changed.

Systematical Design... 2X faster installation



Molding or J-Channel:

Uses for keeping edges and angles of a soffit to be neat and beauty



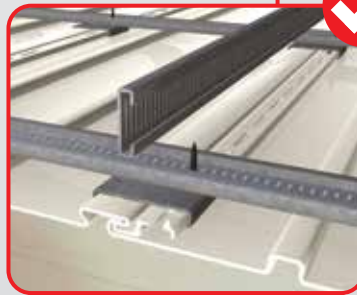
Uses together with standardized C-Line:

Designed to be used with C-Line frame, easy use, light, durable and anti-rust



Locking design of soffits:

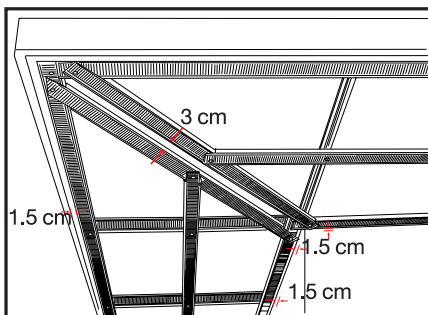
tight holding with screw hidden for neat and beauty



Steel reinforcement:

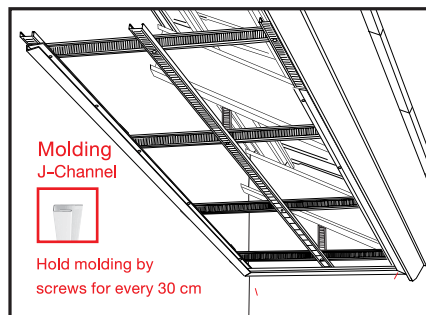
Hold soffits with C-Line to be tighter and more durable

3-Easy-Step for the installation



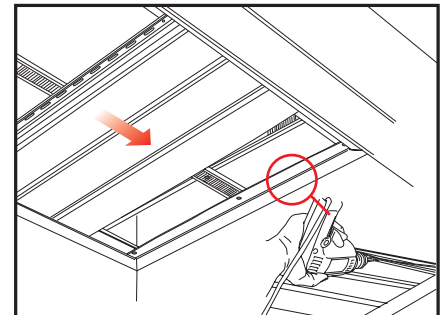
Step 1

Install C stud



Step 2

Install molding or J-Channel with sub frames (bottom row) and hold molding by screws for every 30 cm



Step 3

Install soffit and hold with screws, provided in a box, until it is a full area

*A vented soffit should be installed perpendicular to a fascia



Soffit System: Vigor Cream Color

Series

SOLID BOARD

The exterior is similar to lattice



CENTER VENT

The combination between plain and vent soffit increases airflow



FULL VENT

Full ventilation without insect screen needed



Color Availability



PEARL WHITE



VIGOR CREAM

“Worry free from traditional soffit and increase your confidence with SCG Vinyl Soffit System”



SCG Vinyl Soffit



Traditional Soffit

SCG VINYL SOFFIT SYSTEM

Standard Product Set in a box

1. Vinyl soffit width 33 cm. length 3 m.
total 5 sheets
2. Molding or J - Channel length 3 m.
total 5 lines
3. Steel reinforcement size 5 x 5 cm.
total 30 pieces
4. Black screw total 50 pieces
5. Concrete nails total 50 pieces



Remark: For the best result, install on the C stud which has minimum standard from no. 26 onward

Caution usages

1. For your own safety, read the installation manual carefully before installing any system and strictly follow all instructions.
2. Take into account that structural design always requires safety. For large structural work, it is strongly recommended to seek professional advice from your civil engineers.
3. Due to printing variations, actual colors may vary from the samples displayed.
4. The Company reserves its right not to accept the return or change of any products in case of misuses or usages in a way that is not intended or specified in the product manual.
5. The Company reserves its right at any time to revise, change or update any of the above details without prior notice.



Installation area 4.5 sqm./box



Authorized Dealers
 SCG Contact Center Tel. (+66)2 586 2222
 Email : contact@scg.co.th
 www.scgbuildingmaterials.com